

QK-AMBANT

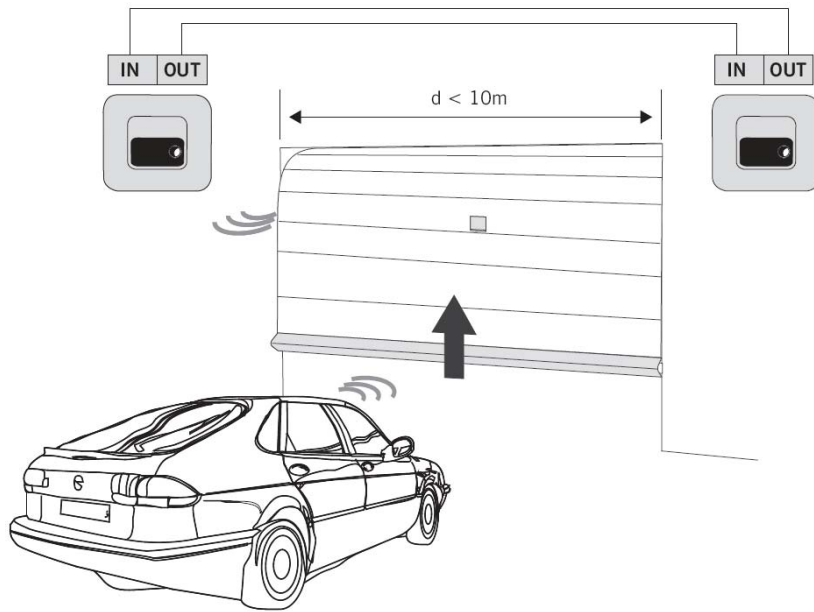


QK-AMBANT is a trigger antenna that allows activating a transmitting tag when this one enters the detection range of the antenna. QK-AMBANT is equipped with a contact for presence detectors like photocells and loop detectors.

1. TECHNICAL CHARACTERISTICS

	QK-AMBANT
Operating frequency	125kHz
Power supply	230Vac +/- 10%
Consumption	<50mA
Radiated power	<25mW
Wiring	4 wires (section 0,5mm ²)
Operating temperature	-20°C / +55°C
Protection rate	IP66
Dimension	350x310x40mm
Enabling area (hands-free mode)	5m
Maximum detection speed	50km/h

2. CONNECTION



Connect the power supply wire to the 230Vac and connect the 4 signal wires as follows:

Signal	Cable colour
Presence + (12 V)	Red
-(GND)	Black
Sync IN	Green
Sync OUT	White

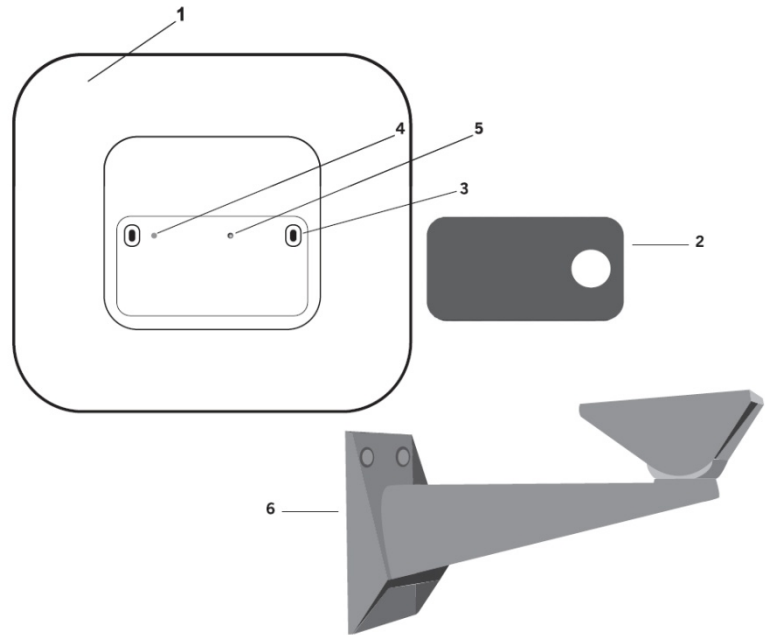
If the presence detection signal (red) is not used, please join it to the black wire (GND), and the device will always detect presence.

In case of using more than one trigger antenna in series (maximum 4), connect the synchronism signal OUT to the synchronism signal IN of the following activator, to avoid interference between them. See connection diagram above.

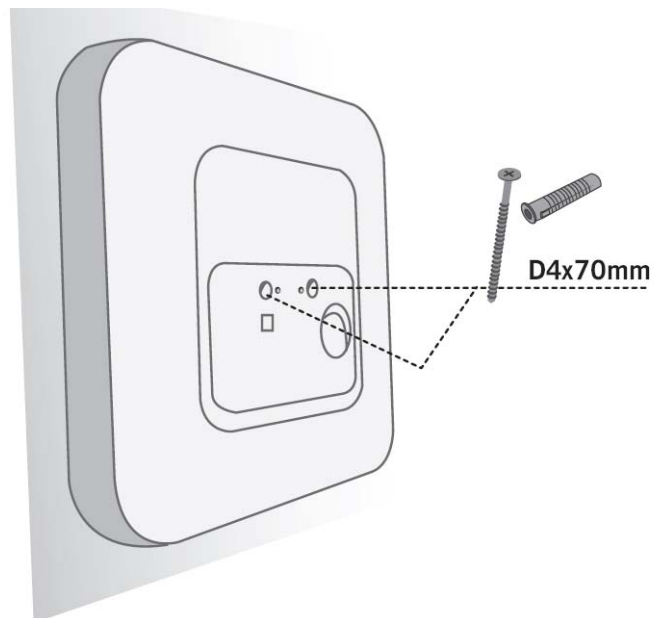
If you want to connect only one antenna join the two synchronism signals IN and OUT.

3. INSTALLATION

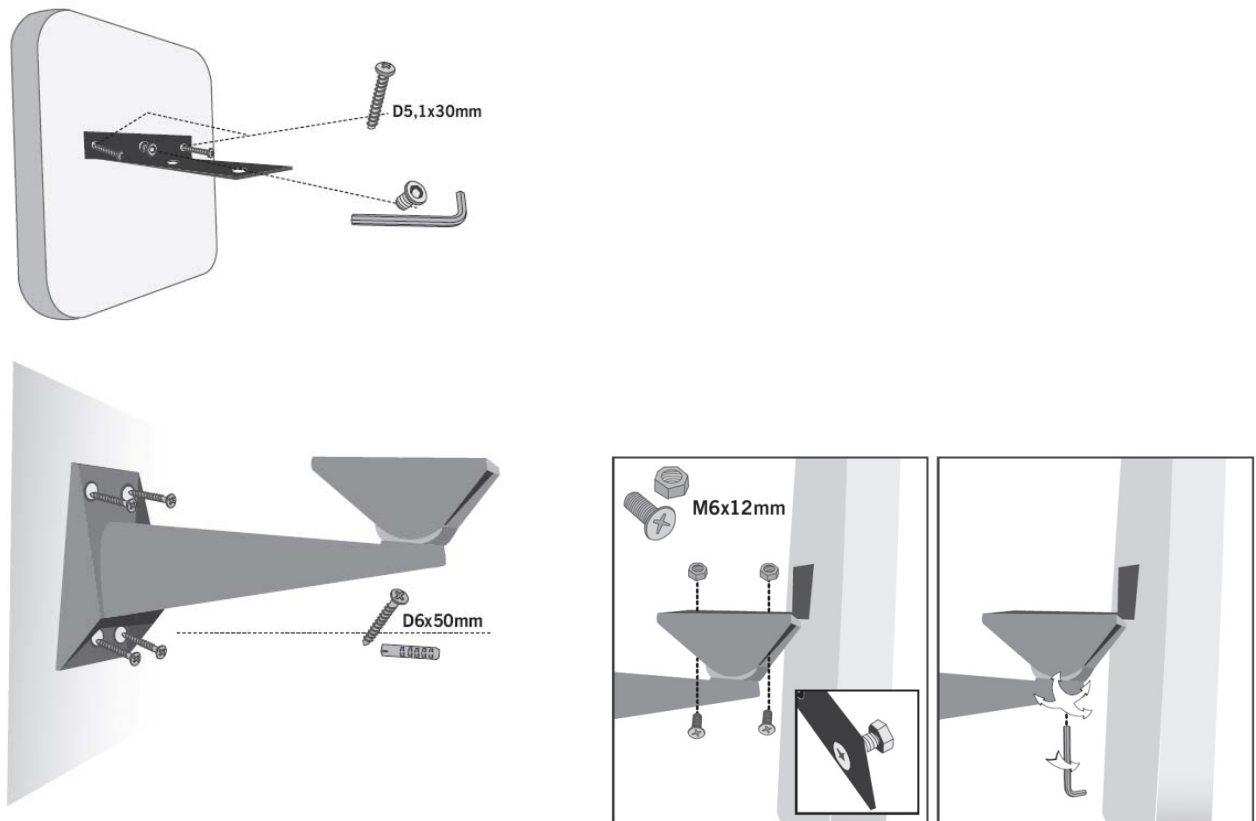
1. Equipment
2. Adhesive label
3. Wall fixing holes
4. Configuration pushbutton
5. Led
6. Mounting bracket



3.1. WALL INSTALLATION



3.2. INSTALLATION WITH BRACKET



4. CONFIGURATION OF CHANNELS AND GROUPS

Use the button (4) to configure the operating mode of the antenna

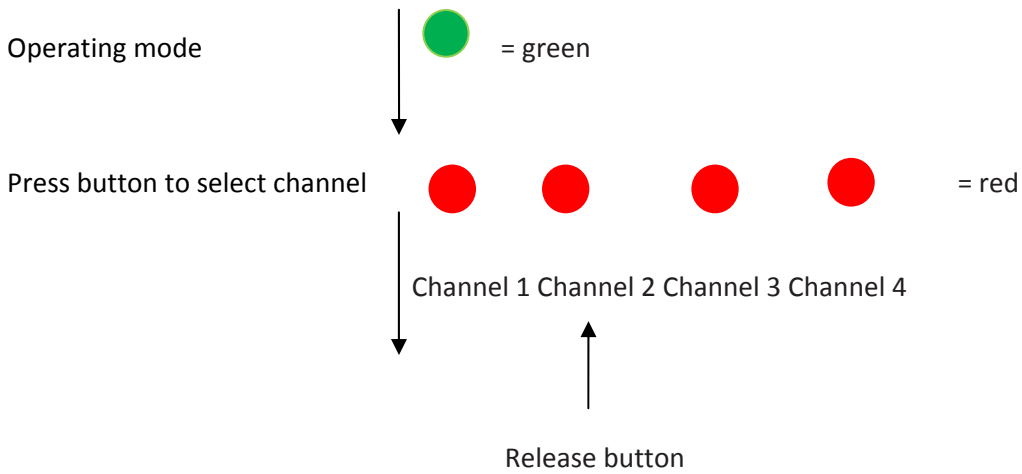
Channel configuration: Keep the configuration button pressed down until the number of long red signals is equal to the channel to be configured. For example, if you want to configure channel 2, release the button after the second long red signal.

Channel configuration allows selecting the channel to be sent to the radioreceiver by the transmitting tag.

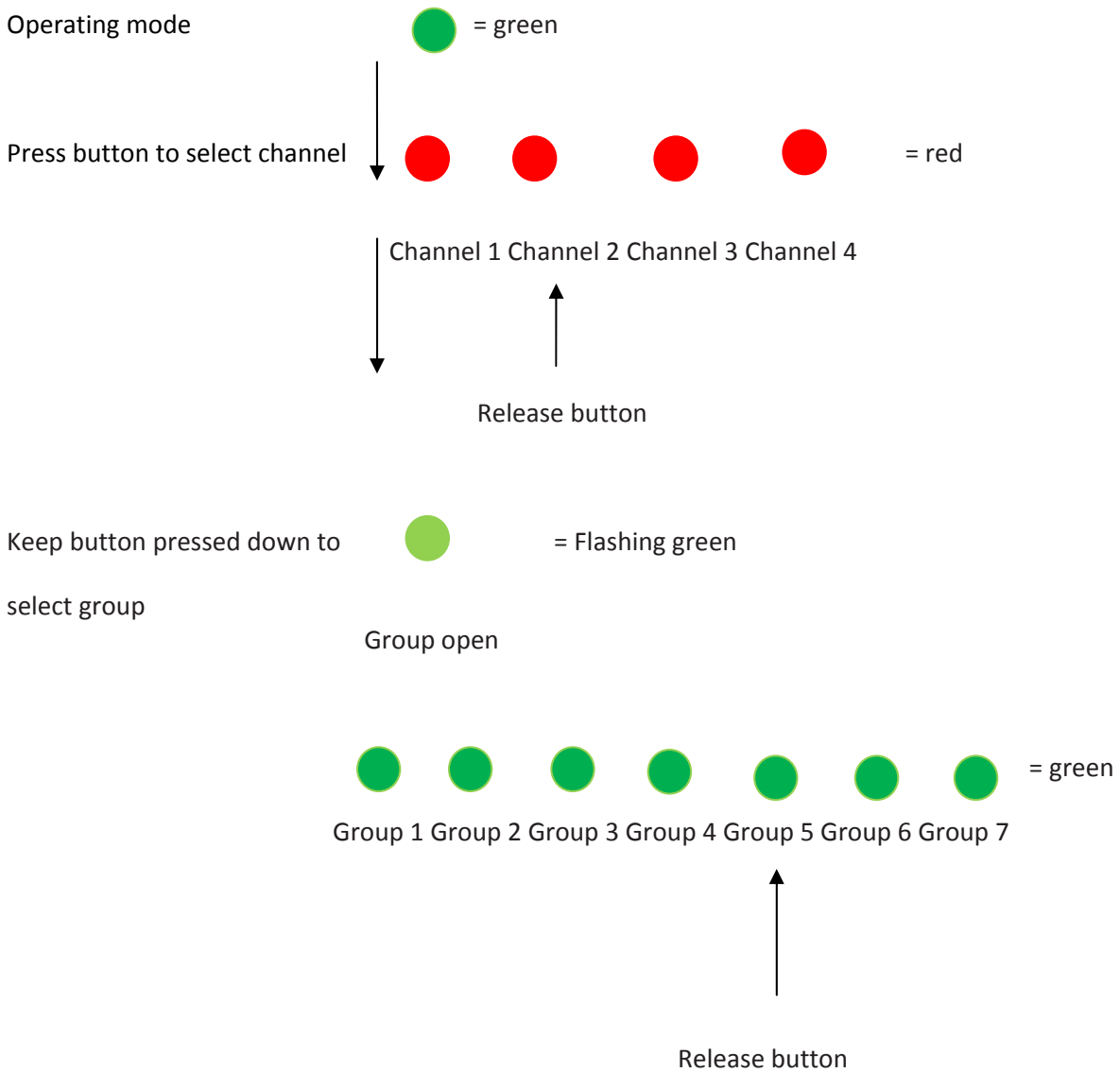
Group configuration: Press the configuration button and keep it pressed down. The led will issue the red channel configuration signals followed by a series of flashing green signals to indicate that it will start the group selection sequence (long green signals indicating groups 1 to 7). Release the button at the required group. For example, if you want to configure group 5, release the button after the fifth long green signal. Group configuration allows to control separately up to 28 different doors.

The procedure can be carried out as many times as required.

EXAMPLE: Channel 2 Configuration



EXAMPLE: Group 5 Configuration



5. OPERATING



Once the equipment is supplied with electricity, the LED will flash for 3 times.

By bringing the tag/transmitter close to the trigger antenna or pressing the button, the tag/transmitter will send a signal to the receiver in which it is programmed.

QUIKO ITALY declares that the product QK-AMBANT complies with the requirements of the 1999/5/EEC Radio Equipment and Telecommunication Terminal Equipment Directive, provided it is used as established.

DECLARATION OF CONFORMITY : 

QUIKO ITALY

Via Seccalegno 19

36040 Sossano (Vi) Italy

Tel + 39 0444 785513

Fax +39 0444 782371

info@quiko.biz

www.quikoitaly.com